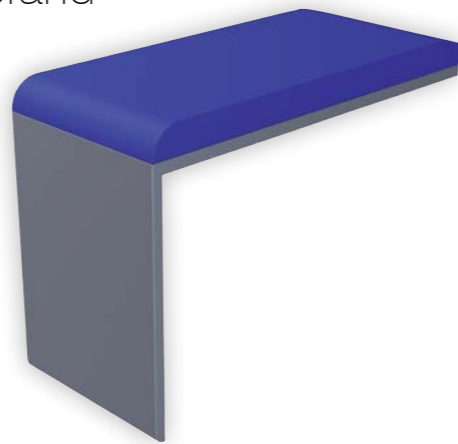


# stair nosings

PVC **profiles** skirtings & **trims**

# premium quality

Like all products bearing the **Floorwise** brand name, our stair nosings, PVC profiles, skirtings & trims are manufactured to the **highest quality standards**, made to deliver long lasting **performance**.



## contents

Standard Gauge Aluminium Stair Nosings .....	3
Heavy Duty Gauge Aluminium Stair Nosings .....	3
Q Range Stair Nosing .....	4
Stair Nosing Colour Chart .....	5
Sampling, Installation & Cleaning .....	5
Aluminium & PVCu Stair Edge Trims & Angles .....	6
Pre-packed Nosing with Secret Fixing .....	6
Fabrication .....	6
PVC Skirting .....	7
PVC Cove Former & Capping Strips .....	8
Flexible Bevel Edges & Ramp Trims .....	9
Flexible Flooring Profiles .....	9
PVC Colour Chart .....	10
Sampling, Installations & Cleaning .....	10
Flexible PVC Trims .....	11

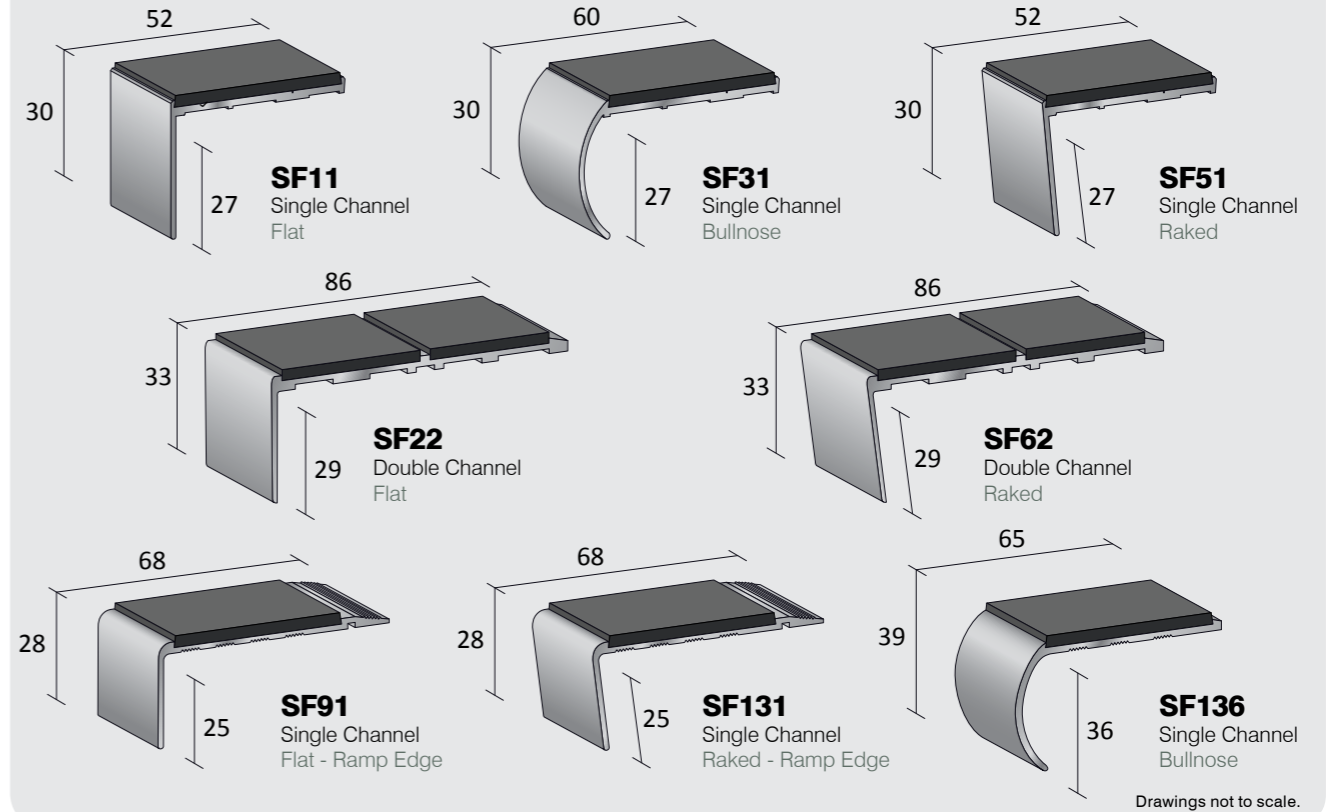
## aluminium stair nosings: standard gauge

● Brightened Finish ● Super Chrome Finish

Standard gauge aluminium stair nosings best suited for floorcoverings with a thickness of 2mm – 3.5mm.

Stock Lengths: 2.44m, 2.75m and 3.2m. Pre-packed (Secret Fixing): 20 lengths x 1.22m.

Also available cut to size, drilled and undrilled.



### treadcolours



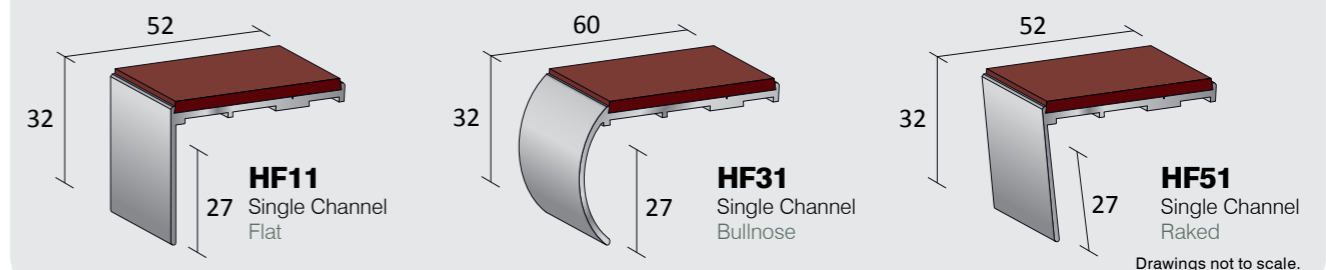
## aluminium stair nosings: heavy duty gauge

● Brightened Finish ● Super Chrome Finish

Heavy duty gauge aluminium stair nosings best suited for floorcoverings with a thickness of 4mm – 6mm.

Stock Lengths: 2.44m, 2.75m and 3.2m. Pre-packed (Secret Fixing): 20 lengths x 1.22m.

Also available cut to size, drilled and undrilled.



### treadcolours



free stair nosing measuring service...



...available on all Floorwise stair nosings



**Q Range stair nosings**

**NEW**

**Q RANGE** the complete stair nosing solution  
green ■ safe ■ clean

Q Range are slenderline gauge nosings best suited for floorcoverings with a thickness of 2mm – 3.5mm.

Heavy Duty profiles also available.

**Stock Lengths:** 2.44m, 2.75m and 3.2m.

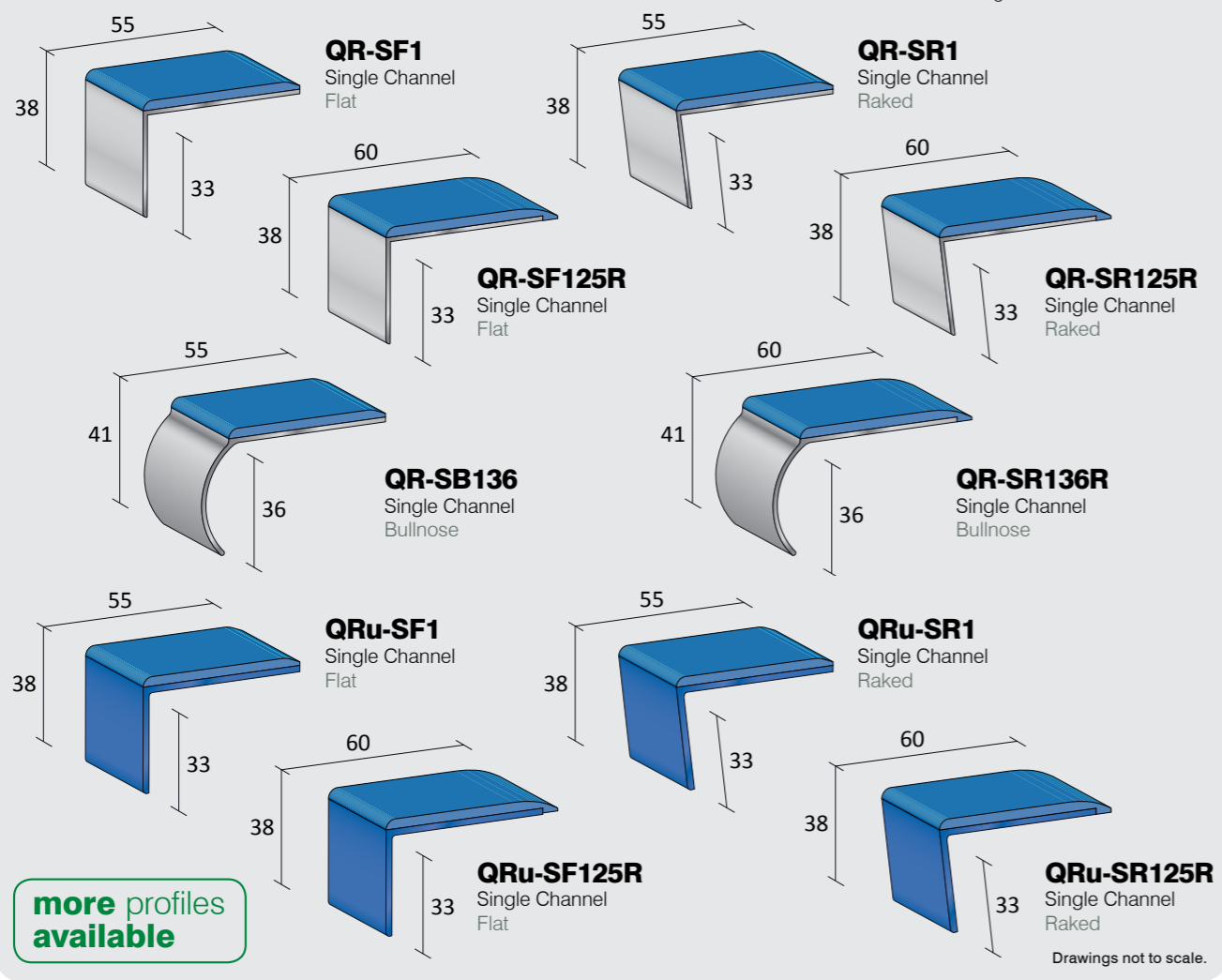
**Pre-packed (Secret Fixing):** 20 lengths x 1.22m.

Also available cut to size, drilled and undrilled.



All Q Range Stair Nosings (except bull nosed) offer a Building Regulations best practice solution in PVCu or when specified with polar grey tread material.

**PLEASE NOTE:** There should be 30 points of difference in the LRV value between the floor covering and the Stair Nosing.



more profiles available

**treadcolours**

- BLK WHT LIG FLI GRA REG BLU ROY SKY PLR PEA RUS FAW IVO SPR JAD LIM YEL SUN POP CLA PHO

**PVCu profile colours**

- BLK WHT LIG FLI GRA REG BLU PLR PEA RUS IVO SPR YEL CLA

**stair nosings colour chart**

Colours	Tread Internal	PVCu Channel (Q Range)	Light Reflectance Value
BLK – Black	✓	✓	6.34
WHT – White	✓	✓	81.30
LIG – Light Grey	✓	✓	25.91
FLI – Flint	✓	✓	15.46
GRA – Graphite	✓	✓	11.23
REG – Regency	✓	✓	10.51
BLU – Dark Blue	✓	✓	10.51
ROY – Royal Blue	✓	✓	15.84
SKY – Sky	✓	✓	52.00
PLR – Polar Grey	✓	✓	42.09
PEA – Peat	✓	✓	10.47
RUS – Rustic	✓	✓	10.28
FAW – Fawn	✓	✓	21.36
IVO – Ivory	✓	✓	51.26
SPR – Spruce	✓	✓	10.53
JAD – Jade	✓	✓	29.73
LIM – Lime	✓	✓	53.00
YEL – Yellow	✓	✓	67.12
SUN – Sun	✓	✓	56.00
POP – Poppy	✓	✓	12.69
CLA – Claret	✓	✓	6.16
PHO – Photo	✓	✓	69.31

Colours shown here are a guide as they are only as accurate as the printing process allows. For an exact match to your requirements, always request a sample.

Some stair nosing/colour combinations are not stock supported and may be subject to minimum order quantities.

Although production lead times are generally only a few days, it is advisable to check and book production in advance with your local Floorwise distributor.

**sampling, installation & cleaning**

To ensure an exact match for your requirements, please ask your local Floorwise distributor for a sample box.



For information about installation and cleaning, please ask your local Floorwise distributor for our special leaflet.



best for performance best for quality & best for price...

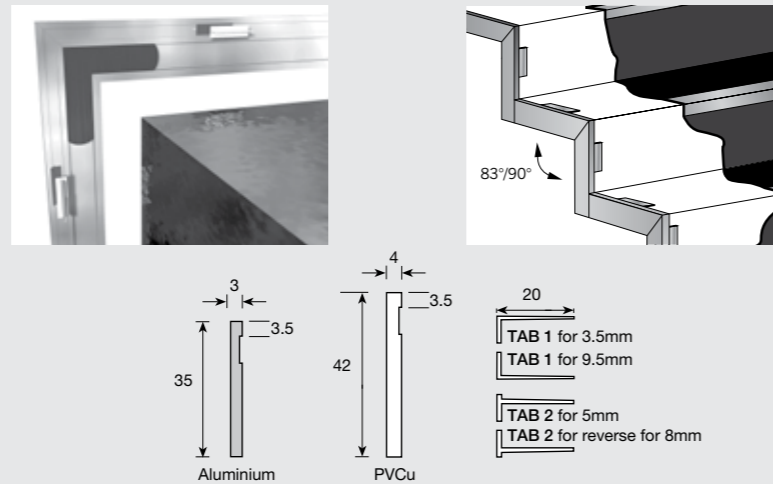
...it's time to get wise about floors!

**aluminium & PVCu stair edge trims & angles** ● Brightened Finish ● Super Chrome Finish

Pre-formed universal angles for finishing step sides on open string staircases. Universal tabs are included with package to cover all heights.

Pre-formed: 83° or 90°, 360mm x 360mm, singles or boxed in 20s. Stock lengths: 2.75m complete with joints and tabs to make up on site.

- A610**  
Aluminium 83° Pre-formed Angles
- A620**  
Aluminium 90° Pre-formed Angles
- A600**  
Aluminium stock length 2.75m
- P610**  
PVCu 83° Pre-formed Angles
- P620**  
PVCu 90° Pre-formed Angles
- P600**  
PVCu stock length 2.75m



**PVCu colours**



**pre-packed nosings with secret fixings**

Save **time** and **money** with our **pre-packed boxes**

15 x 1.22m lengths of pre-drilled and pre-taped channels with 15 x 1.22m separate lengths of infill for on-site trimming and application.

No visible sign of fixing as no plugs are needed.



**fabrications**

Special shapes (curves mitred and welded returns) factory fabricated from site measured templates available.

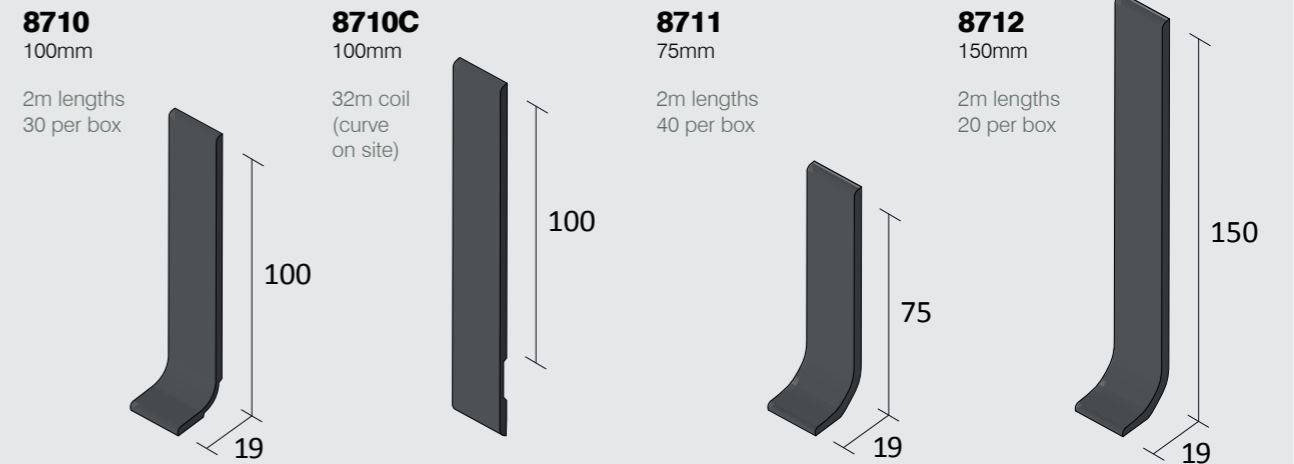
Contact your local Floorwise distributor for more details.



**PVC skirting**

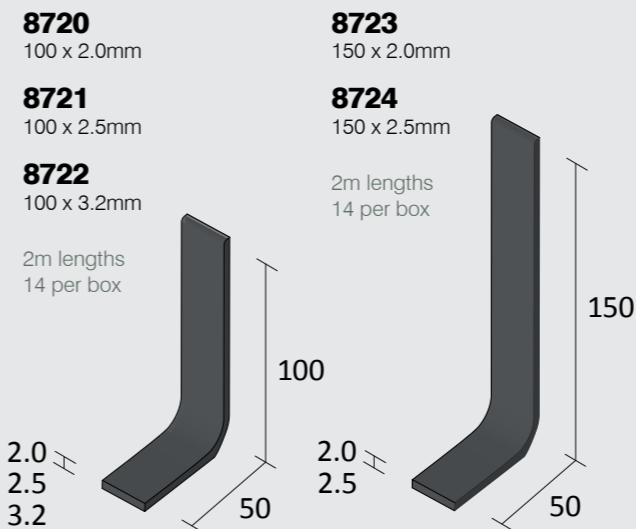
**sit-on skirting**

Easy to fit standard skirting finish for vinyl floors.



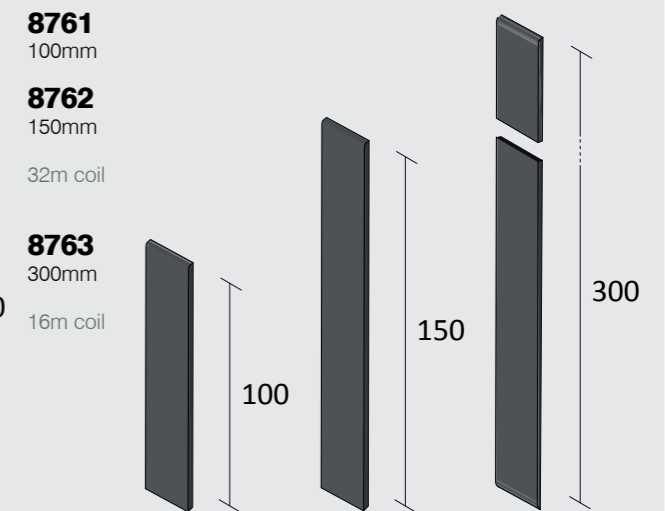
**set-in skirting**

Skirtings with welded foot for seamless and hygienic finish with vinyl floors in hospitals, schools, and wet areas (e.g. bathrooms).



**flatskirting**

Protective edge to wall and door bases. Use with vinyl floors or carpet tiles.



Drawings not to scale.

**PVC skirting colours**



free stair nosing measuring service...



...available on all Floorwise stair nosings

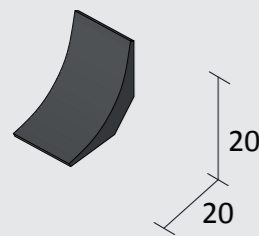
**PVC cove formers & capping strips**

**coveformers**

Preformed cove support for vinyl or linoleum flooring to curve up the wall base from the floor edge.

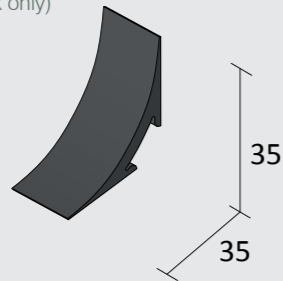
**8731**  
20 x 20mm

2m lengths  
50 per box  
(Black only)



**8730**  
35 x 35mm

2m lengths  
40 per box  
(Black only)

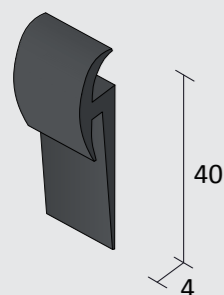


**cappingstrips**

Finishing caps for floor coverings when material is formed up the wall base.

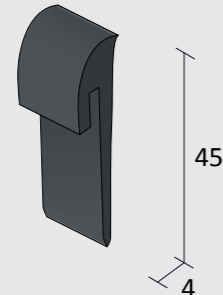
**8740**  
40 x 4mm

2m lengths  
40 per box



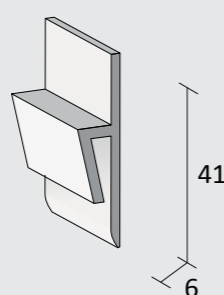
**8741**  
45 x 4mm

2m lengths  
40 per box



**8742**  
41 x 6mm

2m lengths  
50 per box  
(Rigid PVC)



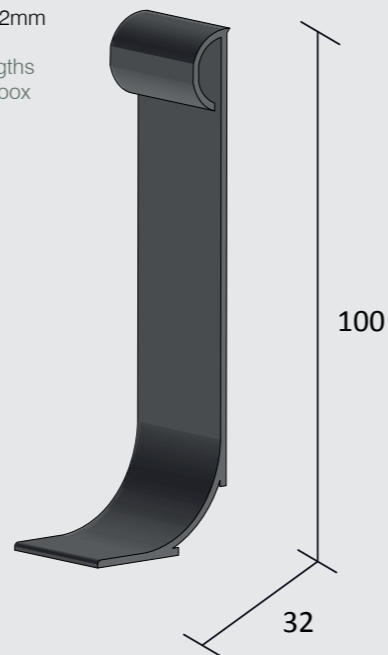
**combined coveformer & capping strip**

This combined, preformed cove former and capping strip is a valuable time saver on site:

- Offers better value than a separate cove former and capping strip
- Neater finish
- Easy to handle & easy to fit
- Flexible cap to accommodate the floor covering

**8743**  
100 x 32mm

2m lengths  
20 per box



Drawings not to scale.

**coveformers+cappingstripscolours**



**flexible bevel edges & ramp trims**

**beveled edges**

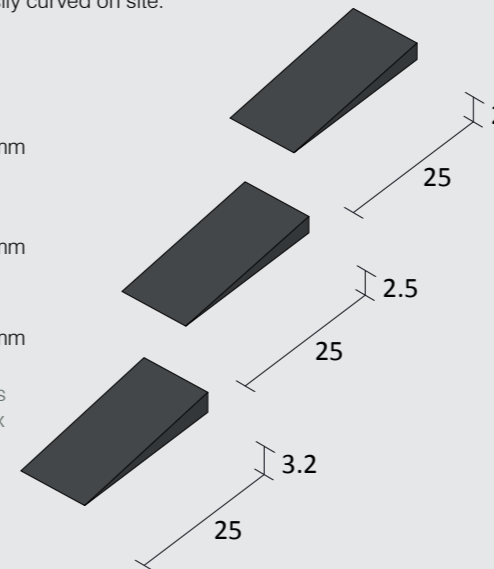
Finishing strips for floor covering edges. Can be easily curved on site.

**8751**  
50 x 2.0mm

**8752**  
25 x 2.5mm

**8753**  
25 x 3.2mm

25m coils  
5 per box



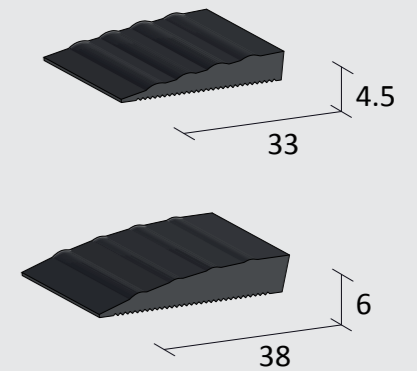
**ramp edges**

Finishing ramps for floor covering edges. Can be easily curved on site.

**8754**  
33 x 4.5mm

**8755**  
38 x 6.0mm

2m lengths  
50 per box

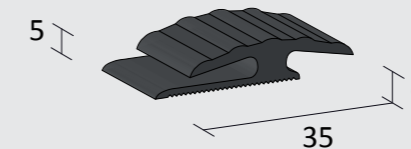


**flexible flooring profiles**

Finishing profiles for joints between floor coverings. Can be easily curved on site.

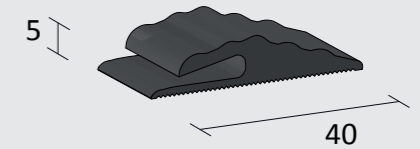
**8770 Dual Edge**  
35 x 5mm/9mm

2m lengths  
25 per box



**8772 Ramp Edge**  
40 x 5mm

2m lengths  
25 per box

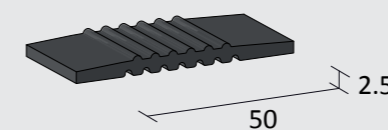


**expansion joints**

Offers a solution to join to vinyl floors. Expansion joints are welded to the adjoining floor covering using weld rod.

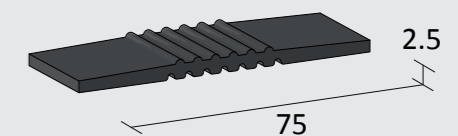
**QCJ50**  
50 x 2.5mm

15m lengths  
3 per box



**QCJ75**  
75 x 2.5mm

15m lengths  
2 per box



Drawings not to scale.

**trimsramps+bevelscolours**





**PVC colour chart**

Colours	PVC skirtings	Capping Strips	Bevel/ Trims/ Ramps	Flexible Trims	Light Reflectance Value
BLK – Black	✓	✓	✓	✓	6.34
WHT – White	✓	✓	✓		81.30
PLG – Platinum Grey	✓				45.00
CLG – Cloud Grey	✓	✓	✓		29.00
CHAR – Charcoal	✓	✓	✓		15.00
DBR – Dark Brown	✓	✓	✓		7.00
IVO – Ivory	✓				51.26
CAR – Caramel	✓	✓			31.00
BOU – Boulder	✓				25.00
JAD – Jade	✓				29.73
REG – Regency	✓			✓	10.51
TER – Terracotta	✓				16.00
LIG – Light Grey				✓	25.91
FLI – Flint				✓	15.46
PEA – Peat				✓	10.47
SPR – Spruce				✓	10.53

Colours shown here are a guide as they are only as accurate as the printing process allows.  
For an exact match to your requirements, always request a sample.



**sampling, installation & cleaning**

To ensure an exact match for your requirements, please ask your local Floorwise distributor for a sample box.



For information about installation and cleaning, please ask your local Floorwise distributor for our special leaflet.



**flexible PVC trims**

PVCu bases are curvable on site

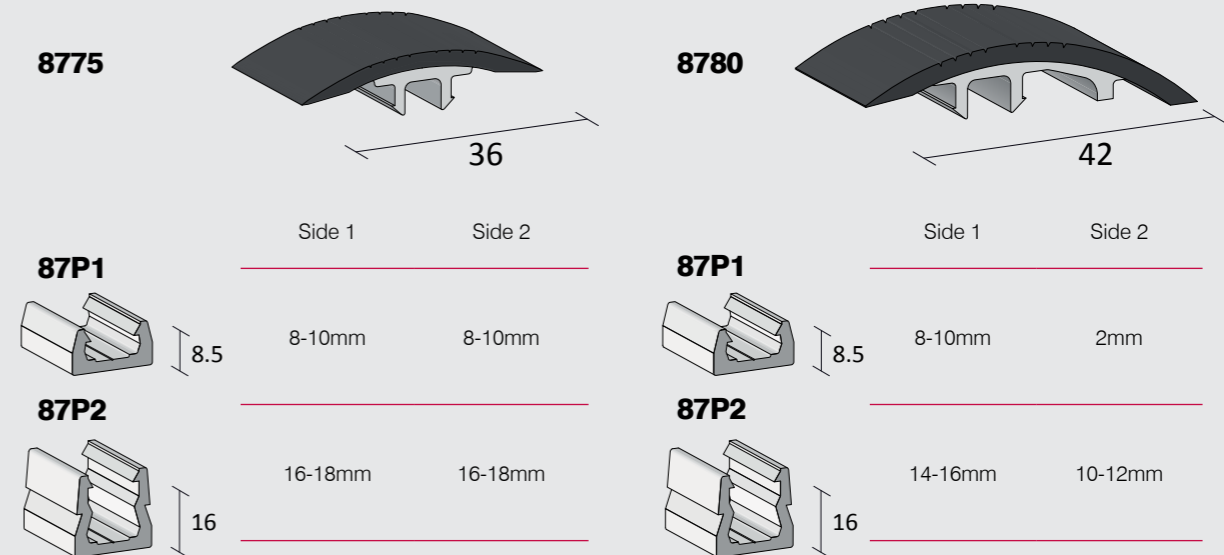
This Floorwise trim system is suitable for installation in both contract and domestic locations. The range includes a number of bases and top trim profiles to create a neat, safe and durable junction between adjacent floor finishes. The different sizes of bases and tops allow for almost all floor covering thicknesses to be accommodated, the tops are available in a range of seven colours to compliment any design scheme.



**key features**

- All tops fit all bases
- Low maintenance
- Range of seven colours
- Easily installed
  - » Screw the pre-drilled bases to the floor between the two floor coverings
  - » Position the tops in place and tap into place using a rubber mallet.

**tops & bases**



flexiblepvccolours



When it comes to flooring installation, **Floorwise** is the name for **quality** and **value!**

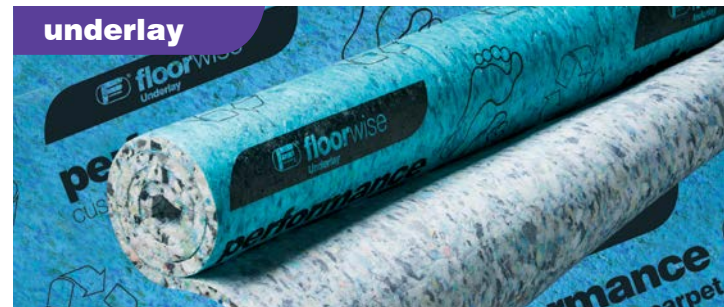
For **over 30 years** Floorwise has been the **number one choice** for flooring professionals.

Reliable service, through an exclusive network of distributors, and the consistent quality of our products has earned Floorwise an enviable reputation.

Floorwise strives to deliver excellence in innovation too, with a continuous development program aimed at meeting the evolving needs of both consumers and the fitters alike.

for **sales** and **enquiries** contact:

## It's time to get wise about floors with our other market-leading products:



We offer a wide range of foam, rubber and felt quality underlays delivering varying levels of performance and suitable for every type of carpet.



Crafted from premium quality materials, Floorwise profiles are easy to handle and deliver longer lasting use.



Understanding that reliability is the key, Floorwise Adhesives and have been formulated to bring consistency time after time.



Sourced from the world's best suppliers, the Floorwise Tools collection brings you the very best to make sure your high standards are upheld.

© 2014 Floorwise Group Ltd

underlay

nosings +  
pvc skirting

gripper

profiles

tools

tapes

matting

adhesives  
+ screeds

laminates